


I'm not robot  reCAPTCHA

[Continue](#)

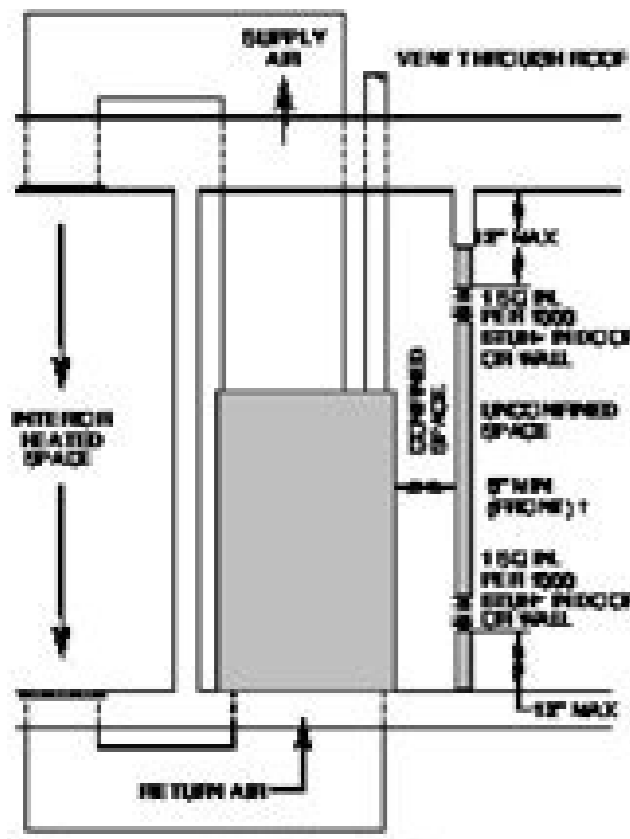


Fig. 2—Confined Space: Air for Combustion and Ventilation from an Unconfined Space

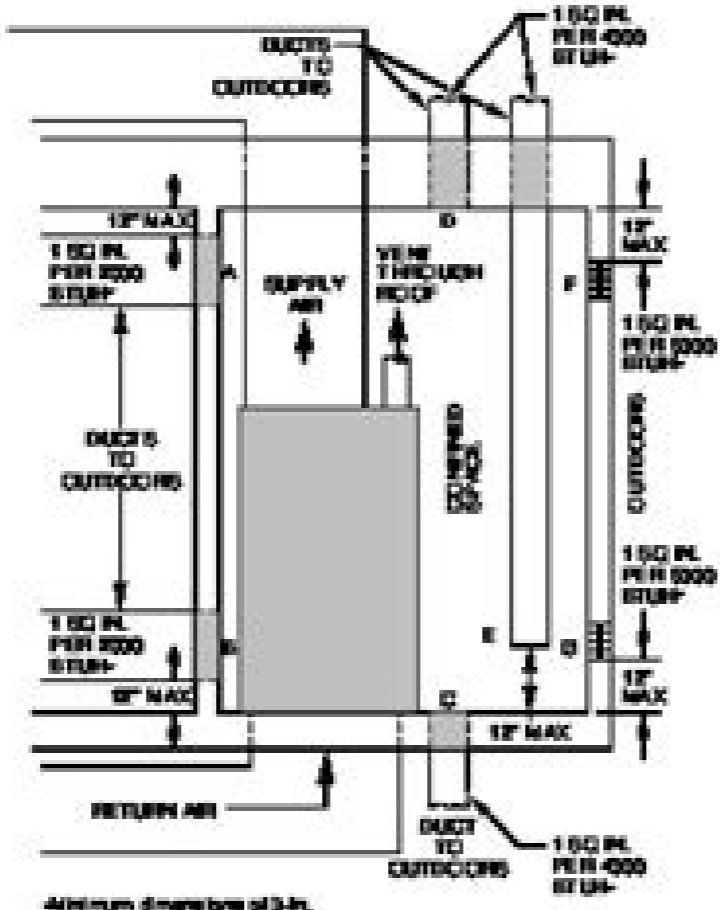


Fig. 3—Confined Space: Air for Combustion and Ventilation from Outdoors

CAUTION
Air for combustion must not be contaminated by halogen compounds, which include fluoride, chloride, bromide, and iodide. These elements are found in aerosol sprays, detergents, bleaches, cleaning solvents, oils, air fresheners, and other household products.

All fuel-burning equipment must be supplied with air for combustion of the fuel. Sufficient air MUST be provided to ensure there will not be a negative pressure in the equipment room or space. In addition, a positive seal MUST be made between the furnace cabinet and the return-air duct to prevent pulling air from the burner area and duct adjacent opening into the circulating air.

CAUTION
The operation of exhaust fans, kitchen ventilation fans, clothes dryers, or dehumidifiers could create a negative air pressure condition at the furnace. Make-up air must be provided for these devices, in addition to that required by the furnace.

Combustion air requirements are determined by whether the furnace is in an UNCONFINED or CONFINED space.

UNCONFINED SPACE
An unconfined space must have at least 50 cu ft for each 1000 Btu/h of input for all the appliances (such as furnaces, clothes dryer, water heaters, etc.) in the space.

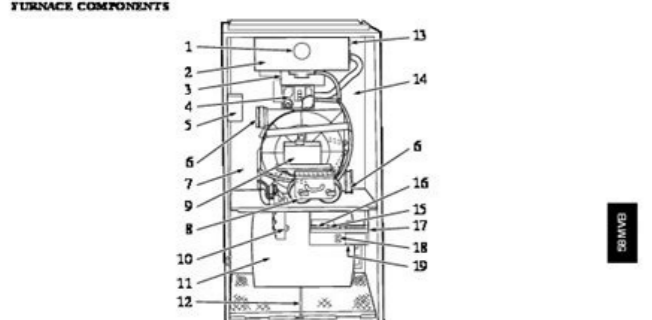
For Example:

BUTIA FURNACE HIGH-PIPE INPUT BTU/H	MINIMUM SQ FT WITH 7-1/2 FT CEILING
45,000	257
65,000	400
85,000	554
105,000	667
125,000	800
145,000	867

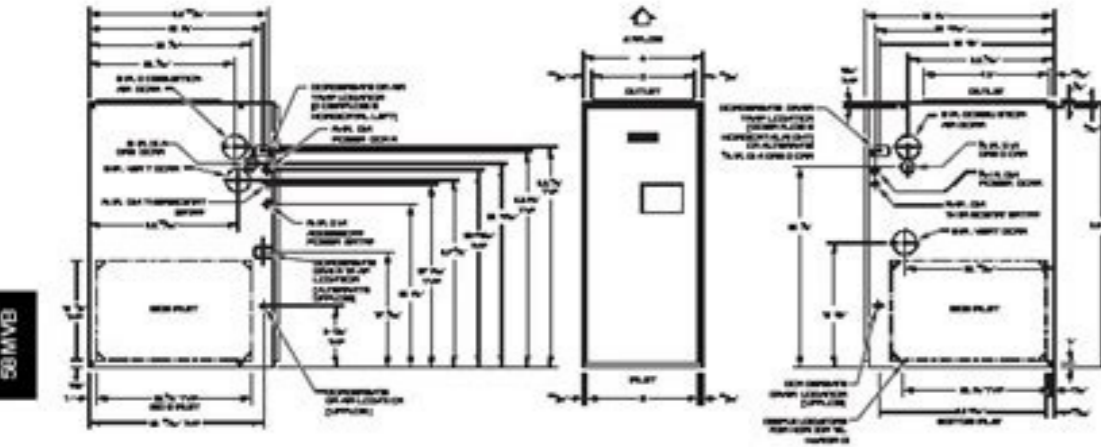
If the unconfined space is of unusually tight construction, air for combustion and ventilation MUST come from either the outdoors or space freely communicating with the outdoors. Combustion and ventilation openings must be sized the same as for a confined space as defined below. Return air must not be taken from the room unless an equal or greater amount of air is supplied to the room.

CONFINED SPACE
A confined space is one whose volume is less than 50 cu ft per 1000 Btu/h of the total input rating for all appliances installed in that space. A confined space MUST have 2 permanent openings, 1 within 12 in. of the ceiling, and the other within 12 in. of the floor which freely communicate with an unconfined space or the outdoors. (See Fig. 3.)

NOTE: In determining the free area of an opening, the blocking effect of the louvers, grilles, and screens must be considered. If the free area of a louver or grille design is unknown, it may be assumed that wood louvers have a 20 percent free area, and metal louvers or grilles have a 60 percent free area. Screens, when used, must not be smaller than 1/4-in. mesh. Louvers and grilles must be constructed so they cannot be closed.



- NOTE:** The 8000 Series is built for use with vent gas. The furnace is designed to operate with a factory-installed vent system consisting of:
1. Chilled ductwork and vent pipe to be fitted to the duct size.
 2. Down draft gas valve.
 3. Down draft gas valve with vent pipe to be fitted to the duct size.
 4. Down draft gas valve with vent pipe to be fitted to the duct size.
 5. Down draft gas valve with vent pipe to be fitted to the duct size.
 6. Down draft gas valve with vent pipe to be fitted to the duct size.
 7. Down draft gas valve with vent pipe to be fitted to the duct size.
 8. Down draft gas valve with vent pipe to be fitted to the duct size.
 9. Down draft gas valve with vent pipe to be fitted to the duct size.
 10. Down draft gas valve with vent pipe to be fitted to the duct size.
 11. Down draft gas valve with vent pipe to be fitted to the duct size.
 12. Down draft gas valve with vent pipe to be fitted to the duct size.
 13. Down draft gas valve with vent pipe to be fitted to the duct size.
 14. Down draft gas valve with vent pipe to be fitted to the duct size.
 15. Down draft gas valve with vent pipe to be fitted to the duct size.



- NOTE:** A. Minimum clearance of 18 inches, based on installation of the duct system.
1. Minimum clearance of 18 inches, based on installation of the duct system.
 2. Minimum clearance of 18 inches, based on installation of the duct system.
 3. Minimum clearance of 18 inches, based on installation of the duct system.
 4. Minimum clearance of 18 inches, based on installation of the duct system.
 5. Minimum clearance of 18 inches, based on installation of the duct system.
 6. Minimum clearance of 18 inches, based on installation of the duct system.
 7. Minimum clearance of 18 inches, based on installation of the duct system.
 8. Minimum clearance of 18 inches, based on installation of the duct system.
 9. Minimum clearance of 18 inches, based on installation of the duct system.
 10. Minimum clearance of 18 inches, based on installation of the duct system.
 11. Minimum clearance of 18 inches, based on installation of the duct system.
 12. Minimum clearance of 18 inches, based on installation of the duct system.
 13. Minimum clearance of 18 inches, based on installation of the duct system.
 14. Minimum clearance of 18 inches, based on installation of the duct system.
 15. Minimum clearance of 18 inches, based on installation of the duct system.
 16. Minimum clearance of 18 inches, based on installation of the duct system.
 17. Minimum clearance of 18 inches, based on installation of the duct system.
 18. Minimum clearance of 18 inches, based on installation of the duct system.
 19. Minimum clearance of 18 inches, based on installation of the duct system.
 20. Minimum clearance of 18 inches, based on installation of the duct system.
 21. Minimum clearance of 18 inches, based on installation of the duct system.
 22. Minimum clearance of 18 inches, based on installation of the duct system.
 23. Minimum clearance of 18 inches, based on installation of the duct system.
 24. Minimum clearance of 18 inches, based on installation of the duct system.
 25. Minimum clearance of 18 inches, based on installation of the duct system.
 26. Minimum clearance of 18 inches, based on installation of the duct system.
 27. Minimum clearance of 18 inches, based on installation of the duct system.
 28. Minimum clearance of 18 inches, based on installation of the duct system.
 29. Minimum clearance of 18 inches, based on installation of the duct system.
 30. Minimum clearance of 18 inches, based on installation of the duct system.
 31. Minimum clearance of 18 inches, based on installation of the duct system.
 32. Minimum clearance of 18 inches, based on installation of the duct system.
 33. Minimum clearance of 18 inches, based on installation of the duct system.
 34. Minimum clearance of 18 inches, based on installation of the duct system.
 35. Minimum clearance of 18 inches, based on installation of the duct system.
 36. Minimum clearance of 18 inches, based on installation of the duct system.
 37. Minimum clearance of 18 inches, based on installation of the duct system.
 38. Minimum clearance of 18 inches, based on installation of the duct system.
 39. Minimum clearance of 18 inches, based on installation of the duct system.
 40. Minimum clearance of 18 inches, based on installation of the duct system.
 41. Minimum clearance of 18 inches, based on installation of the duct system.
 42. Minimum clearance of 18 inches, based on installation of the duct system.
 43. Minimum clearance of 18 inches, based on installation of the duct system.
 44. Minimum clearance of 18 inches, based on installation of the duct system.
 45. Minimum clearance of 18 inches, based on installation of the duct system.
 46. Minimum clearance of 18 inches, based on installation of the duct system.
 47. Minimum clearance of 18 inches, based on installation of the duct system.
 48. Minimum clearance of 18 inches, based on installation of the duct system.
 49. Minimum clearance of 18 inches, based on installation of the duct system.
 50. Minimum clearance of 18 inches, based on installation of the duct system.
 51. Minimum clearance of 18 inches, based on installation of the duct system.
 52. Minimum clearance of 18 inches, based on installation of the duct system.
 53. Minimum clearance of 18 inches, based on installation of the duct system.
 54. Minimum clearance of 18 inches, based on installation of the duct system.
 55. Minimum clearance of 18 inches, based on installation of the duct system.
 56. Minimum clearance of 18 inches, based on installation of the duct system.
 57. Minimum clearance of 18 inches, based on installation of the duct system.
 58. Minimum clearance of 18 inches, based on installation of the duct system.
 59. Minimum clearance of 18 inches, based on installation of the duct system.
 60. Minimum clearance of 18 inches, based on installation of the duct system.
 61. Minimum clearance of 18 inches, based on installation of the duct system.
 62. Minimum clearance of 18 inches, based on installation of the duct system.
 63. Minimum clearance of 18 inches, based on installation of the duct system.
 64. Minimum clearance of 18 inches, based on installation of the duct system.
 65. Minimum clearance of 18 inches, based on installation of the duct system.
 66. Minimum clearance of 18 inches, based on installation of the duct system.
 67. Minimum clearance of 18 inches, based on installation of the duct system.
 68. Minimum clearance of 18 inches, based on installation of the duct system.
 69. Minimum clearance of 18 inches, based on installation of the duct system.
 70. Minimum clearance of 18 inches, based on installation of the duct system.
 71. Minimum clearance of 18 inches, based on installation of the duct system.
 72. Minimum clearance of 18 inches, based on installation of the duct system.
 73. Minimum clearance of 18 inches, based on installation of the duct system.
 74. Minimum clearance of 18 inches, based on installation of the duct system.
 75. Minimum clearance of 18 inches, based on installation of the duct system.
 76. Minimum clearance of 18 inches, based on installation of the duct system.
 77. Minimum clearance of 18 inches, based on installation of the duct system.
 78. Minimum clearance of 18 inches, based on installation of the duct system.
 79. Minimum clearance of 18 inches, based on installation of the duct system.
 80. Minimum clearance of 18 inches, based on installation of the duct system.
 81. Minimum clearance of 18 inches, based on installation of the duct system.
 82. Minimum clearance of 18 inches, based on installation of the duct system.
 83. Minimum clearance of 18 inches, based on installation of the duct system.
 84. Minimum clearance of 18 inches, based on installation of the duct system.
 85. Minimum clearance of 18 inches, based on installation of the duct system.
 86. Minimum clearance of 18 inches, based on installation of the duct system.
 87. Minimum clearance of 18 inches, based on installation of the duct system.
 88. Minimum clearance of 18 inches, based on installation of the duct system.
 89. Minimum clearance of 18 inches, based on installation of the duct system.
 90. Minimum clearance of 18 inches, based on installation of the duct system.
 91. Minimum clearance of 18 inches, based on installation of the duct system.
 92. Minimum clearance of 18 inches, based on installation of the duct system.
 93. Minimum clearance of 18 inches, based on installation of the duct system.
 94. Minimum clearance of 18 inches, based on installation of the duct system.
 95. Minimum clearance of 18 inches, based on installation of the duct system.
 96. Minimum clearance of 18 inches, based on installation of the duct system.
 97. Minimum clearance of 18 inches, based on installation of the duct system.
 98. Minimum clearance of 18 inches, based on installation of the duct system.
 99. Minimum clearance of 18 inches, based on installation of the duct system.
 100. Minimum clearance of 18 inches, based on installation of the duct system.

Dimensions (in./mm)

UNIT SIZE	A	D	E
800-14	24-1/2 / 625.3	22-7/8 / 581.2	20 / 508.0
800-18	27-1/2 / 701.5	25-7/8 / 654.8	22 / 558.8
800-24	31 / 787.4	29-3/8 / 748.1	25-1/2 / 648.3
800-30	34-1/2 / 876.3	32-7/8 / 833.2	28-1/2 / 723.8
800-36	38-1/2 / 977.8	36-3/4 / 933.3	31-1/2 / 803.3
800-42	42-1/2 / 1081.3	40-3/4 / 1033.3	34-1/2 / 883.3

Fig. 2 - Dimensional Drawing



Installation, Start-Up, and Operating Instructions

Size 045-155, Series 151

SECTION 1 - SAFETY

1.1 General Safety Instructions

1.2 Installation Safety

1.3 Start-Up Safety

1.4 Operating Safety

1.5 Maintenance Safety

1.6 Electrical Safety

1.7 Gas Safety

1.8 Combustion Safety

1.9 Venting Safety

1.10 Clearances

1.11 Labels

1.12 Shipping and Handling

1.13 Storage

1.14 Disposal

1.15 Environmental

1.16 Noise

1.17 Vibration

1.18 Air Quality

1.19 Water Quality

1.20 Other

SECTION 2 - INSTALLATION

2.1 General

2.2 Location

2.3 Clearances

2.4 Foundation

2.5 Venting

2.6 Gas

2.7 Electrical

2.8 Controls

2.9 Piping

2.10 Testing

2.11 Start-Up

2.12 Commissioning

2.13 Final Inspection

2.14 Handover

2.15 Documentation

2.16 Training

2.17 Warranty

2.18 Maintenance

2.19 Troubleshooting

2.20 Other



SECTION 1 - SAFETY

1.1 General Safety Instructions

1.2 Installation Safety

1.3 Start-Up Safety

1.4 Operating Safety

1.5 Maintenance Safety

1.6 Electrical Safety

1.7 Gas Safety

1.8 Combustion Safety

1.9 Venting Safety

1.10 Clearances

1.11 Labels

1.12 Shipping and Handling

1.13 Storage

1.14 Disposal

1.15 Environmental

1.16 Noise

1.17 Vibration

1.18 Air Quality

1.19 Water Quality

1.20 Other

Performance data

Model	045	055	065	075	085	095	105	115	125	135	145	155
Capacity (BTU/hr)	10,000	12,000	14,000	16,000	18,000	20,000	22,000	24,000	26,000	28,000	30,000	32,000
Input (BTU/hr)	10,000	12,000	14,000	16,000	18,000	20,000	22,000	24,000	26,000	28,000	30,000	32,000
Efficiency (%)	90	90	90	90	90	90	90	90	90	90	90	90

Model	045	055	065	075	085	095	105	115	125	135	145	155
Capacity (BTU/hr)	10,000	12,000	14,000	16,000	18,000	20,000	22,000	24,000	26,000	28,000	30,000	32,000
Input (BTU/hr)	10,000	12,000	14,000	16,000	18,000	20,000	22,000	24,000	26,000	28,000	30,000	32,000
Efficiency (%)	90	90	90	90	90	90	90	90	90	90	90	90

Model	045	055	065	075	085	095	105	115	125	135	145	155
Capacity (BTU/hr)	10,000	12,000	14,000	16,000	18,000	20,000	22,000	24,000	26,000	28,000	30,000	32,000
Input (BTU/hr)	10,000	12,000	14,000	16,000	18,000	20,000	22,000	24,000	26,000	28,000	30,000	32,000
Efficiency (%)	90	90	90	90	90	90	90	90	90	90	90	90

Carrier weathermaker 8000 how many btu. Carrier weathermaker 8000 price.

In the United States, this also goes for seasonal types of gas required by government regulations. For example, during the summer months, refiners mix certain additives with oil during production, such as ethanol. The majority of the retailers earn 14 cents for each gallon sold. Instead of running only one (stage-siege) or two levels (two stages), the compressor accelerates and decreases in small increases between 40% and 100% capacity. The Carrier Infinity series comes with guarantees on parts and a life guarantee in the body exchanger. And although the federal tax on excision has remained constant from 1993 to 18.4 cents for gallon, other taxes tend to vary. These include state gasoline taxes and local and state sales taxes, among others. So this will also contribute to the price. There are several crucial steps that you need to take before starting to think about the brand. The types of regular reparation will charge you less to the types of repair of the company. As the value falls into other important currencies, the price of oil increases. They also sell pieces of service to techniques that work for them. You can click here to obtain 3 free estimates for your local contractor, and this estimate already takes into consideration the rebates and the fiscal chance automatically and filters automatically not qualified contractors. Before diving in the specific revision of the brand, we recommend that you read our elaborate guide of purchase of gas ovens with anteling. The additional gas has to travel, while more transport expenses will be involved. The bearer gas oven is one of the Pickhvac recommendations that are classified there with the trane, Coleman and Amana. We are going to use the map of the area again to identify efficiency levels for every time to hit that balance: areas & 2 (calor) 80% Comfort 80, PERFORMANCE 80 Zona 3 (calor) 80% Infinity 80, PERFORMANCE 80 Zona 4 (moderado) 90% Zona 5 (cool) 90%-93% Performance Boost 90, Comfort 92 Zona 6 (cold) 92%-95% Comfort Comfort 95 Zona 7 (very cold) 95% and more Infinity 96, Infinity 98 Note: The high efficiency of the carrier units was as a result of a demand that has now been resolved. In this list, each oven includes the same parameters: 70,000-75,000 BTU with a 1000 cfm blower that is appropriate for a medium-sized house of about 2,000 square feet. 10 years warranty excludes the labor rate. Third, request at least 3 offers before making the decision. It's a good option if you plan to live in the same house for the next ten years or more. So he never sacrifices the contractor's quality for a lower price. Second, remember to look for the last tax credit and refunds. There are several factors that contribute to the increase and increase in gas prices. In most cases, the labor rate for the avant-garde model will be more than you can imagine. The heart of Greenspeed technology is a modulated compressor, also called variable speed compressor. To get an idea of how state taxes vary, take 2015 as an example. What is the most cost-effective model for the conveyor oven? This system comes into play during hot seasons that help the air conditioning to keep the house cool. As other nations begin to coincide with the massive consumption of United States oil, the price of crude oil increases. Other factors that affect crude oil sometimes geopolitical events, natural disasters and oil spills can affect the price of gas by interrupting the flow of crude oil. First, take into account that the quality of the installation is always the most important thing for the gas oven project. The ideal moisture system of the carrier Most brands of carrier gas furnaces have the ideal humidity system. Check air prices of our carrier and the installation cost for more information prices of the conveyor furnace by size, the list of costs below is an average base line: 95% of the AFUE Carrier Performance series, without new ducts, 10-year warranty and average labor rate. These increase the overall cost, which ends paying in the pump. However, the winter formula gas tends to cost less to produce, often which leads to the savings that are transmitted as the consumer. Taxes federal, state and local taxes apply to each tax gallon. When you are looking for the most profitable warming, the strategy is to find the balance between the cost of the oven and the energy costs. However, when your local service setting is owned and operated by the refiner, they tend to be a bit more low. Other costs involved in the distribution and marketing of refined gasoline include salaries and benefits, equipment, rental costs and insurance. Not all gas is the same, of course. Contractor reviews for the carrier Operating gas ovens are classified with the best and offer a range of efficiencies and capacities. And these can vary widely throughout the country, which leads to fluctuations in state-of-state gas prices. There is also the question of competition. Heating cycles help reduce temperature changes in the house. California and Pennsylvania charged 41.06 and 41.80 cents respectively, while Georgia charged only 8 cents. Distribucion and marketing costs The petróleo from the source to the refinery and gas from the refinery to its local retailer implies a large amount of transport. The carrier oven is famous for being reliable and lasting. For one time, once you choose the appropriate contractor, remember to use the techniques of this guide: "Tycics of owners when negotiating with the HVAC dealership to obtain the best final price. This simply means that you will pay more for future repairs and services. They have one of the best guarantee in the market. This organization's organization establishes limits on the petróleo can sell each of its member states, exercising a Massive prices. Increased demand also increases prices, as it does for any other product. Carrier the Size oven for the cost of home size with the installation carrier 40,000 Btu600 - 1000 SF \$ 2,190 - \$ 2,390 Carrier 50,000 50,000 y lieH .namdooG omoc sacram sarto noc n'Aicarapmoc ne sorac secev sod noS .rodarepo ed oledom adac arap soicper sol raremune somadop euq ed setna laugi esab ed aenÁ anu recelbatse somatisecen oledom le rop sag ed onroh led soicper sol ed n'AisiveR ecanruF xonneL sv reirraC sv enarT

:dadidnifurp ne n'ÁicarapmoC :odanoicaler olucÁTRA TEN.DERETINU satnugerP ed s¡AM .n'Áicacafelac ed solcic sol noc ajif acinegiletni ed acitsÁretcarar anu se taeH trofmoC aÁgoloncet al .Jocin'Á (trofnoc ed rolac ed aÁgolonceT .nasecorp euq oel'Ártep ed n'Álag adac rop sovatnec 02 etnemadamixorpa nanag serodanifer sol ,lareneg ne sotsoc sol ratocadeR abmob al ne sag led oicerp le ne senoicaucoulf sal a eyubirtnoc aicnatsni amit'Á ne .odnajib o odneibus oel'Ártep led oicerp la natsopa soreicnamif serodalucepse sol odnauC .soiraleiporp sol arap ocitc¡Árp yum on ,saq ed onroh le arap sotabils y sanapnae ed atari es euq someerC .PEPO al rop odanimreted ¡Átse sodurc oel'Ártep ed ortsiniinus IE .sovatnec 52 ne atnemua sag led oicerp le .01 \$ ne atnemua oel'Ártep led oicerp le odnauc .selareneg sonimr©Át nE ?atsitropsnart led sag ed onroh led soicerp serojem sol renetbo om'ÁC¡Á setnatisiv sol rop sodaivne soicerP ?sotnuj odanoicidnoca eria us ecalper ot tnaW 085,2\$084.1\$BHP85 08 tsooB ecnamrofrep 023.2\$030,1\$WTC85 08 ecnamrofrep 007.2\$032,1\$2PS95 09 ecnamrofrep 013,3\$006,1\$5PS95 09 tsooB ecnamrofrep 045,3\$027,1\$6PT95 69 ecnamrofrep 078,2\$035,1\$AVC85 08 ytinifnl 022,4\$057,1\$6NT95 69 ytinifnl 028,5\$006,2\$7NM95 DEEPSNEERG 89 ytinifnl tsoC dellatstnl tinUylnO tinUsledoM .sonem o s¡Am etnemavitacifingis noraduacer sodatse sonugla .n'Álag rop sovatnec 71.42 ed euf odidemorp latatse otseupmi le euqnaA .serodarepo ed onroh le arap atisecen o=Áamat ©Áuq ebas on is 096,4 \$ 0081utB 000,001 reirraC 066,3 \$ - 014,3 \$ FS 0081 - 0041UTB 000,08 reirraC 053,3 \$ - 022,3 \$ FS 0061 - 0021UTB 000,07 reirraC 051,3 \$ - 069,2 \$ FS 0041 - 0001UTB 000,06 reirraC 087,2 \$ - 095,2 \$ FS 0021 - The installation cost of the unit includes the gas oven unit, all the material for the house and the labor rate. They had used lower materials to manufacture critical pieces such as the I'm not sure. ### ***** oil-rich countries that supply 43% of the world's crude oil. Note: Carrier communicating thermostat is proprietary which means if something goes wrong you can't buy it at the local hardware store. Where two competing gas stations are within a short driving distance of each other, competition between the two will tend to decrease prices.After all of the other factors are taken into account, your local gas station still has to turn a profit. And each different type is produced through a different refining process. The carrier just like other brands will only service units they have installed. The Unit Only price is the online wholesale price without shipping fee. Commodities market speculation is another factor. The result is precise heating and air conditioning that optimizes energy efficiency and indoor climate control. Hurricane Katrina and the Gulf Coast BP oil spill disaster also affected prices.Of course, the US dollar exchange rate also makes a difference. This is why prices increased in response to instability in the Middle East, Venezuela and parts of Africa,all of which are involved in oil production. We always advise homeowners not forget to buy extended labor warranty for highest-end models. If there is no stock of your's corresponding parts, you have to wait 1-3 weeks for the part to be shipped from parts center. Now let's check the content table of this article: Carrier's Features Greenspeed Efficiency Optimization Carrier Greenspeed intelligence was introduced in 2011 on the Carrier Infinity heat pump, and it changed the industry. They help improve the efficiency of the gas furnace and make the house more comfortable. comfortable.
